

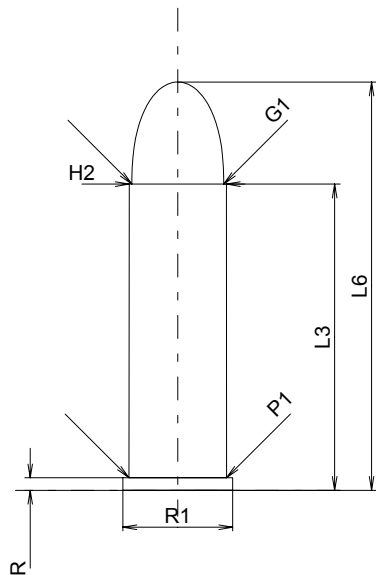
**C.I.P.****8 mm Gasser**

TAB. IV

Date 84-06-14

Revision 00-06-07

Country of Origin: AT

**CARTRIDGE MAXI****Lengths**

L1	=	
L2	=	
L3 <sup>1)</sup>	=	27.00
L4	=	
L5	=	
L6	=	36.00

**Case Head**

R <sup>1)</sup>	=	1.10	-0.25
R1	=	9.68	
R3	=		
E	=		
E1	=		
e min	=		
δ	=		
f	=		
β	=		

**Powder Chamber**

P1	=	8.60
P2	=	

**Junction Cone**

α	=	
S	=	
r1 min	=	
r2	=	

**Collar**

H1	=	
H2 <sup>1)</sup>	=	8.56

**Projectile**

G1 <sup>1)</sup>	=	8.11
G2	=	
F	=	
L3+G <sup>1)</sup>	=	27.99

**Pressures (Energies)****Method Transducer**

Pmax	=	1000 bar
PK	=	1150 bar
PE	=	1300 bar
M	=	12.50

**Miscellaneous Dimensions**

Fe <sup>1)</sup>	=	0.25
delta L	=	

**CHAMBER MINI****Lengths**

L1	=	
L2	=	
L3 <sup>1)</sup>	=	27.50

**Breech**

R <sup>1)</sup>	=	1.10
R1	=	9.75
R2	=	
R3	=	
r	=	

**Powder Chamber**

E	=	
P1 <sup>1)</sup>	=	8.64
P2	=	

**Junction Cone**

α	=	
S	=	
r1 max	=	
r2	=	

**Collar**

H1	=	
H2 <sup>1)</sup>	=	8.60

**Commencement of Rifling**

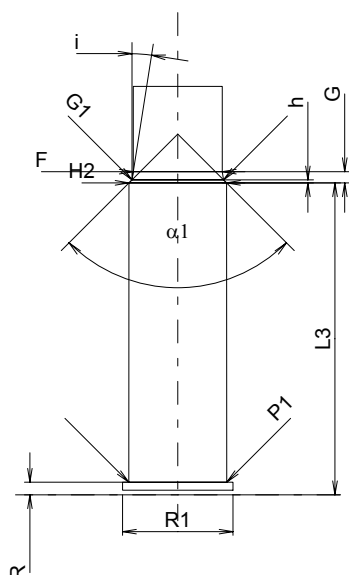
G1 <sup>1)*</sup>	=	8.08
G <sup>1)*</sup>	=	0.99
α1	=	90°
h*	=	0.26
s	=	
i <sup>1)</sup>	=	8°57'09"
w	=	

**Barrel**

F <sup>1)*</sup>	=	7.85
Z <sup>1)</sup>	=	8.05

**Grooves**

b	=	3.00
N	=	6
u	=	150.00
Q	=	50.24 mm <sup>2</sup>



Scale 1.5:1

Dimensions in << mm >>  
Dimensions and Tolerances for Proof Barrels  
see Appendix CR 1.

Notes: 1) Check for safety reasons  
\* Basic dimensions